

APA[®] Manual

CYCLE COMPUTER
 Model: MCX235

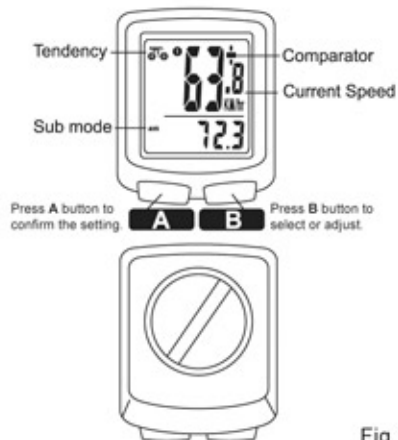
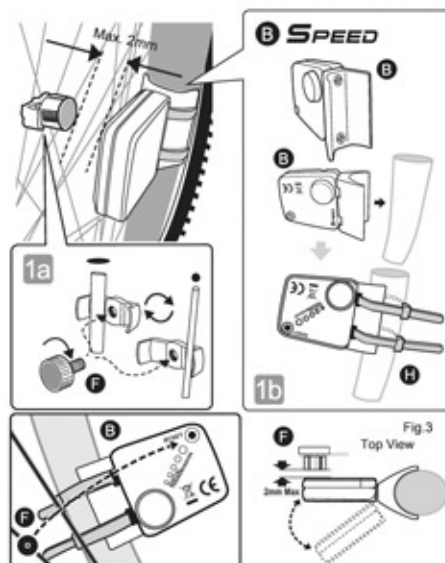
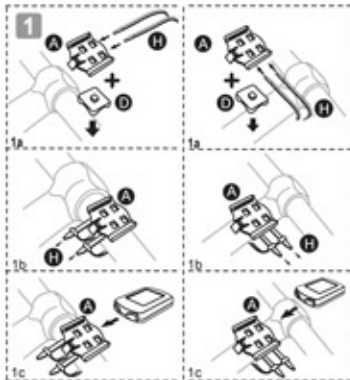
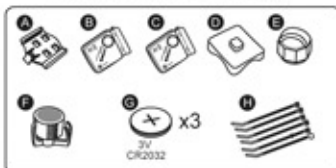


Fig. 1.

Installation Sheet



Adjust the distance between transmitter and magnet with max. 2mm as shown in Fig. 3.

